

ALVO Patient Treatment Bed



ALVO Patient Treatment Bed 2-066 is designated to be used as an emergency patient bed or couch for fast-track aid in hospital treatment or in adapted emergency patient zones.

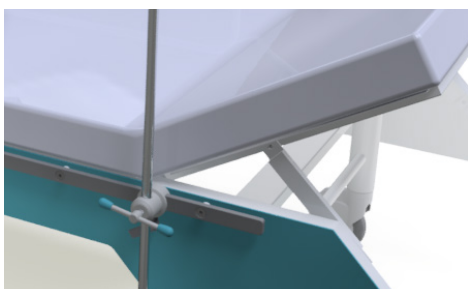
ALVO Patient Treatment Bed is a budget solution, aimed at providing immediate relief to hospitals challenged by the COVID-19 outbreak.

Ergonomic distal handle enables easy maneuvering at the leg end. Mobility is guaranteed thanks to four swivel castors with brake.

Bed frame-detachable mattress made of flexible Kaltschaum foam reduces the negative effects of pressure over the time. Removable and washable slipcover of the mattress is made of sanipur (combination of polyurethane and cotton).

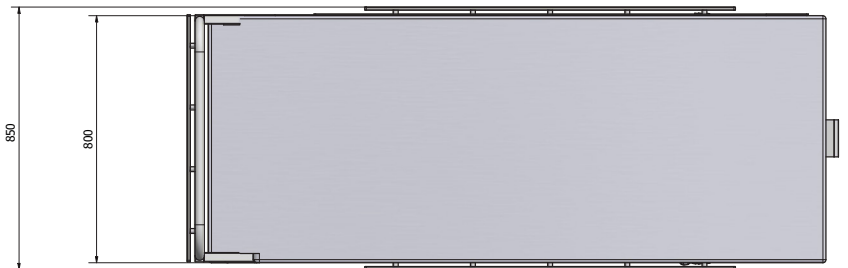
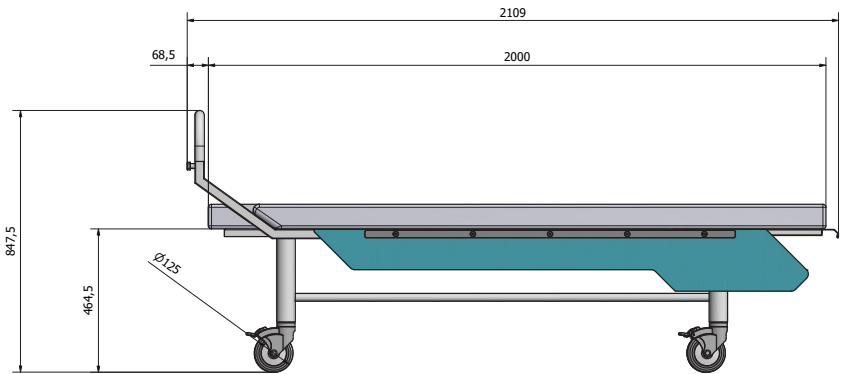
The head/upper back section is adjustable (range 0 – 30°) and released at the proximal end using efficient, durable, semi-automated mechanism, to easily position the patients with acute respiratory distress.

The bed frame is made of powder coated stainless steel, equipped with 3 standard side rails to facilitate the use of additional equipment, eg. IV pole, instruments and tool trays, straps, side barriers, bowls, etc.



Technical specifications ALVO 2-066

Total length	2109 mm
Total width	850 mm
Total height	848 mm
Pad dimensions	2000 x 800 mm
Nominal height without pad	465 mm
Maximum weight capacity	175 kg
Head/ upper back adjustment range	0° - 30°
Side rails cross section EU	25 x 10 mm, 3 pcs
Castors diameter	125 mm
Product weight	65 kg



Stock delivery
Comes with removable soft foam mattress
3 universal side rails for accessories

- 3 universal rails* for flexible accessories removing or fixing along the bed, eg.
 - side safety gate
 - hand sanitizer
 - patient data chart
 - side table
 - bowls
 - patient warming system controller etc.
- * compatible with operating tables accessories standard

➤ Infectious Diseases Hospital Wards



➤ Mobile, container-based facilities



➤ Pop-up emergency treatment areas

